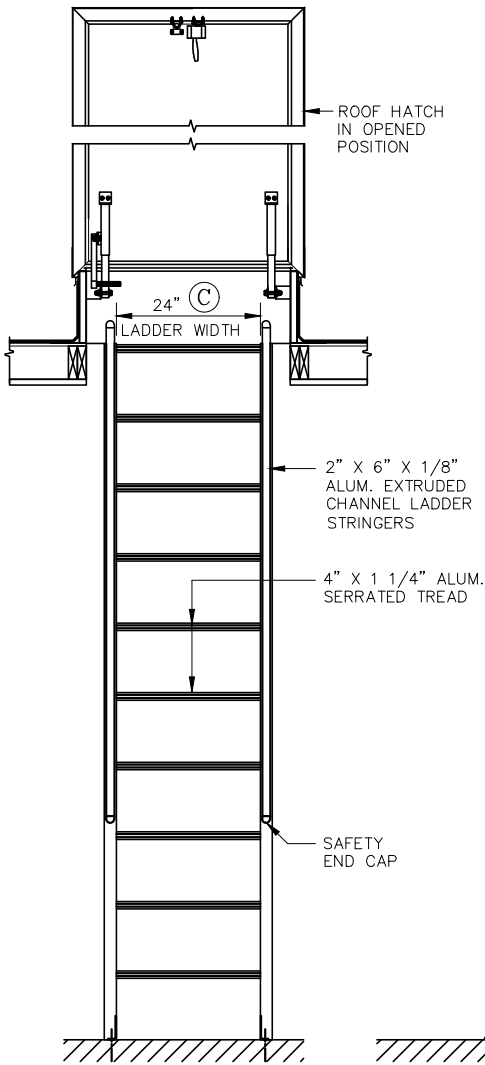


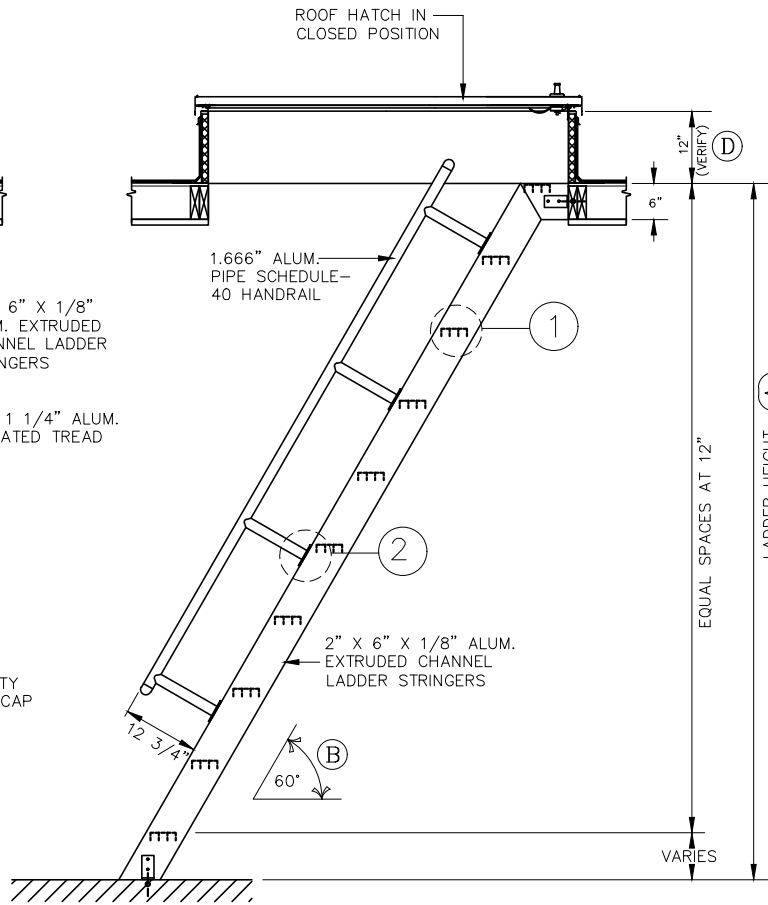


APPROVED BY: _____
 DATE _____

CONTRACTOR TO VERIFY:
 (A) _____ LADDER HEIGHT
 (B) _____ LADDER ANGLE
 (C) _____ LADDER WIDTH
 (D) _____ ROOF HATCH BASE HEIGHT

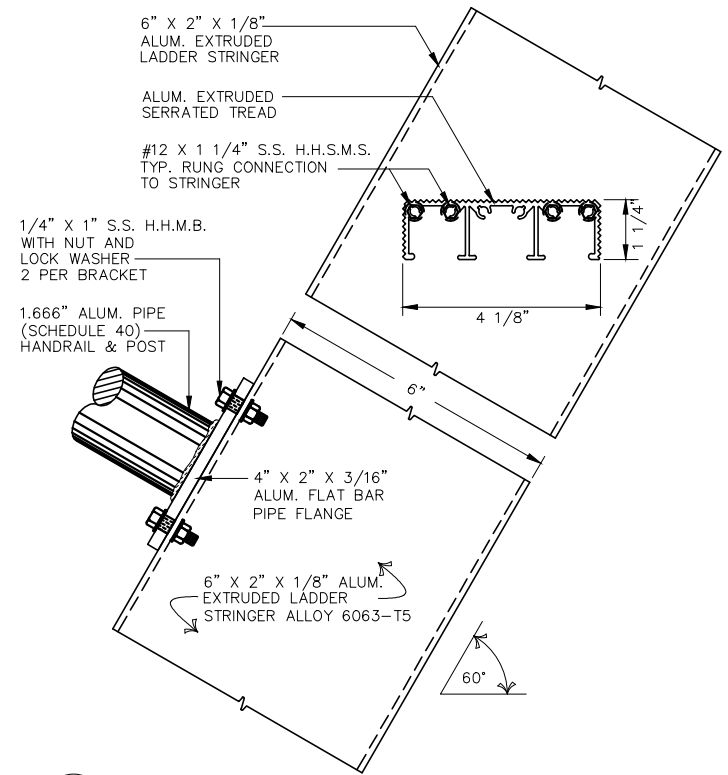


FRONT ELEVATION
N.T.S.



SIDE ELEVATION
N.T.S.

1 TREAD DETAIL
3" = 1' - 0"



2 POST DETAIL
3" = 1' - 0"



O'KEEFFE'S, INC.
 100 N. HILL DR. SUITE 12
 BRISBANE, CA 94005-1010
 TEL: (888) 653-3333
 FAX: (888) 653-4444

ALUMINUM SHIP LADDER
ACCESS TO ROOF HATCH MODEL 523A 60°

_____ QUANTITY

- MILL FINISH
- BRONZE ANODIZED
- POWDER COATING
- CLEAR ANODIZED

SALE NO.

DRAWN :

DATE :

SHEET : _____ OF _____